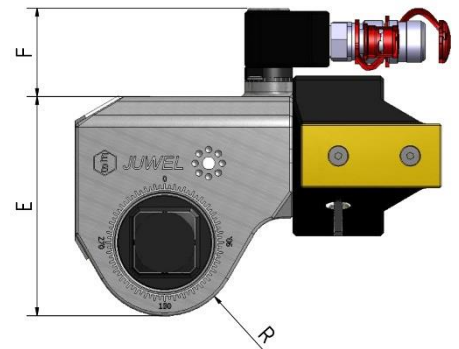
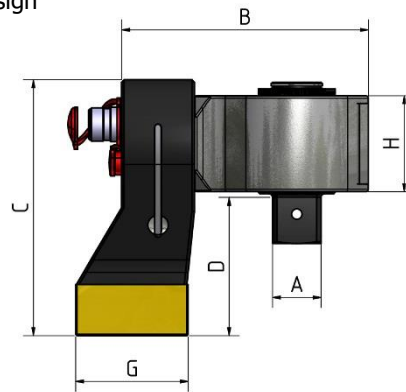


Technical data | BL - series

- Have an accuracy of +/- 2.5% under unchanging conditions.
- Are compact devices for the use of standard slip nuts and direct plug-in tools
- They have a sturdy steel casing, manufactured of material with high tensile strength to guarantee longevity
- Lightweight and a compact size
- Finely toothed precision ratchet with a long swing angle allows full utilization of the piston stroke
- Have a multi-toothed intake gear for finely positioning the aluminum reaction arm. The easy-to-use replacement mechanics of the reaction arm enable fast implementation
- Have hydraulic hose connections that are 360° freely rotatable under a load
- Drive adapters can be replaced without tools; simply re-insert or rebuild the driven shaft or plug-in tool from "release" to "tighten" with a push-button lock
- Torque wrenches in the power range up to 5,000 Nm are optionally available as a single hose or double hose design



Typ		BL - 32	BL - 51	BL - 52	BL - 82	BL - 102	BL - 152	BL - 272
Art.-Nr. / Art.-no.:		71 032 000	71 051 000	71 052 000	71 082 000	71 102 000	71 152 000	71 272 000
Anschluss / Conn. Syst.		00	0	00	00	00	00	00
Leistung / Torque max.	Nm	220 - 3.000	320 - 4.900	320 - 5.200	350 - 8.000	440 - 10.000	950 - 15.200	1.500 - 27.000
Antriebsvierkant / Square drive	Zoll inch	1"	1" - 1 1/2"	1" - 1 1/2"	1 1/2"	1 1/2"	1 1/2" - 2 1/2"	1 1/2" - 2 1/2"
B	mm	140	156	169	193	193	224	260
C	mm	136	150	150	195	195	207	288
D	mm	67	72	72	105	105	115	155
E	mm	101	113	116	137	137	165,5	194
F	mm	56	42	56	59	59	57	57
H	mm	55	65	65	75	75	90	115
G	mm	65	70	70	85	85	80	100
R	mm	26	29	32	46	46	53	58
Gewicht / Weight*	kg	4,4	5,0	5,4	7,8	7,8	12	21

Verschraubungsgeräte mit höherem Drehmoment auf Anfrage
Torque wrenches with higher moments of torsion on request

* Gewicht ohne Reaktionsarm / Weight without reaction support

Technische Änderungen vorbehalten / Subject to technical changes