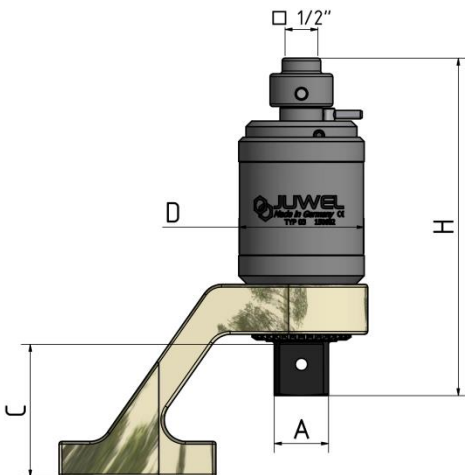


Technical data | mech - series



- Have an accuracy of +/- 2% under unchanging conditions.
- Have a sturdy high-performance planetary gearbox made of special steel
- Mechanical power wrenches are equipped with a switchable reverse rotation lock and therefore guarantee an exact holding of power, even at high torque, and increase the screw speed significantly as torsion return rotation no longer occurs
- Have a multi-toothed intake gear for finely positioning the reaction arm.
- Manually operated without using external energy.
- Even the hardest screw jobs are easy, gentle and accident-safe.
- Effective operation when loosening and tightening screw connections; ready for use everywhere and at every time
- Cost-effective to use



TYP / TYPE			Typ 01 RS	Typ 02	Typ 02K	Typ 03	Typ 03L	Typ 04	Typ 06	Typ 07
Art.-Nr. TES-			10 110 000	10 200 000	10 210 000	10 300 000	10 310 000	10 400 000	10 600 000	10 700 000
Leistung / Torque (Nm)		Nm	160 - 1.200	540 - 3.200	540 - 3.200	540 - 4.200	1.460 - 5.400	680 - 6.200	1.860 - 10.000	1.900 - 12.000
Eingang / Input square*	E	mm	1/2"	1/2"	1/2"	1/2"	1/2"	1/2"	1/2"	1/2"
Antriebsvierkant / Input drive	A	mm	1"	1"	1"	1 1/2"	1 1/2"	1 1/2"	1 1/2"	1 1/2"
Höhe (mm) / Height	C	mm	55-75	75	75	95	95	110	110	130
Getriebe Ø (mm) / Gear diam.	D	mm	85	88	88	88	88	130	130	175
Höhe (mm) / Height	H	mm	180	225	340	235	375	365	315	328
Gewicht (kg)* / Weight		kg	3,6	4,7	5,9	5,9	7,5	10,8	15,8	19
Untersetzung / Reducing ratio**			1 : 4	1 : 16	1 : 16	1 : 16	1 : 64	1 : 22	1 : 60	1 : 74,8

* Wahlweise 3/4" Innen- oder Aussenvierkant / Alternatively 3/4" inside or outside square

** Notice for engineering: It's important to take care of the gear reduction regarding to the torque table for input and output

** Hinweis an die Technik: Es ist wichtig, dass Sie die Drehmomenttabelle für Ein- und Ausgang bei der Untersetzung beachten
Techn. Änderungen vorbehalten / Subject to technical changes